

The information in this document is subject to change without notice and should not be construed as a commitment by ABB. ABB assumes no responsibility for any errors that may appear in this document.

Except as may be expressly stated anywhere in this document, nothing herein shall be construed as any kind of guarantee or warranty by ABB for losses, damages to persons or property, fitness for a specific purpose or the like.

In no event shall ABB be liable for incidental or consequential damages arising from use of this document.

This document and parts thereof must not be reproduced or copied without ABB's written permission, and contents thereof must not be imparted to a third party nor be used for any unauthorized purpose. Contravention will be prosecuted.

Additional copies of this document may be obtained from ABB at its then current charge.

© Copyright 2022 ABB ALL right reserved.

ABB

SE-721 68 Västerås
Sweden

Latest revision: ECO 121973, WI 444847
PG 29, R1.ETHERNET: Changed to socket.
PG 29, R2.ETHERNET: Changed to pins.



Lab/Office:
RA/RDP

COPYRIGHT PAGE

Status: 2022-05-31

Plant: =IRB660/760
Location: + Manipulator
Sublocation:+

Approved

Document no.
3HAC025691-001

Rev. Ind	1
	3
Total	13

Prepared by, date: EM 220506 | Approved by, date: ML 220531

We reserve all rights in this document and in the information contained therein.Reproduction, use or disclosure to third parties without express authority is strictly forbidden. © Copyright 2003 ABB

Table of contents

ABB_table_of_contents

Plant	Location	Sublocation	Page	Page description	Page supplementary field	Date	Editor
IRB660/760	Manipulator		1	COPYRIGHT PAGE	Approved	2008-06-04	seermes
IRB660/760	Manipulator		2	TITLE PAGE	Approved	2008-06-04	seermes
IRB660/760	Manipulator		3	Table of contents:	Approved	2020-03-27	seermes
IRB660/760	Manipulator		4	Revision information	Approved	2020-03-27	seermes
IRB660/760	Manipulator		11	Connection point location	Approved	2020-03-27	seermes
IRB660/760	BU		21	Brake Release Unit	Approved	2016-01-14	seermes
IRB660/760	SMB		22	Serial Measuring Board, incl. 7th axis connction (optional)	Approved	2010-11-10	seermes
IRB660/760	Axis 1		23	Axis 1	Approved	2008-06-04	seermes
IRB660/760	Axis 2		24	Axis 2	Approved	2008-06-04	seermes
IRB660/760	Axis 3		25	Axis 3	Approved	2008-06-04	seermes
IRB660/760	Axis 6		26	Axis 6	Approved	2008-06-04	seermes
IRB660/760	Switches		27	Switches axis 1 (optional)	Approved	2008-06-03	seermes
IRB660/760	CP/CS		28	Customer connection (optional) CP/CS, CANBUS & PROFIBUS	Approved	2020-03-27	seermes
IRB660/760	CP/CS		29	Customer connection (optional) CP/CS & PARAMULTI	Approved	2022-03-31	seermes

We reserve all rights in this document and in the information contained therein. Reproduction, use or disclosure to third parties without express authority is strictly forbidden. © Copyright 2003 ABB

220331 rev.06

Sh.3 New sheet, Table of contents.
 Sh.4 New sheet . Revision information.
 Sh.11 R1.SW1 add.
 Sh.27 New sheet, Switches axis 1

080602 rev.02
 Sh.23 The page description has been changed.


101110 rev.03
 ECO 43522, SPR 1040377
 Sh.11: Graphic has been modified.
 Sh.22: 7th axis connection added.
 Sh.28-29: Customer connection added.

ECO 77348, WI 109538
 Page 21: Wire no 3 added.

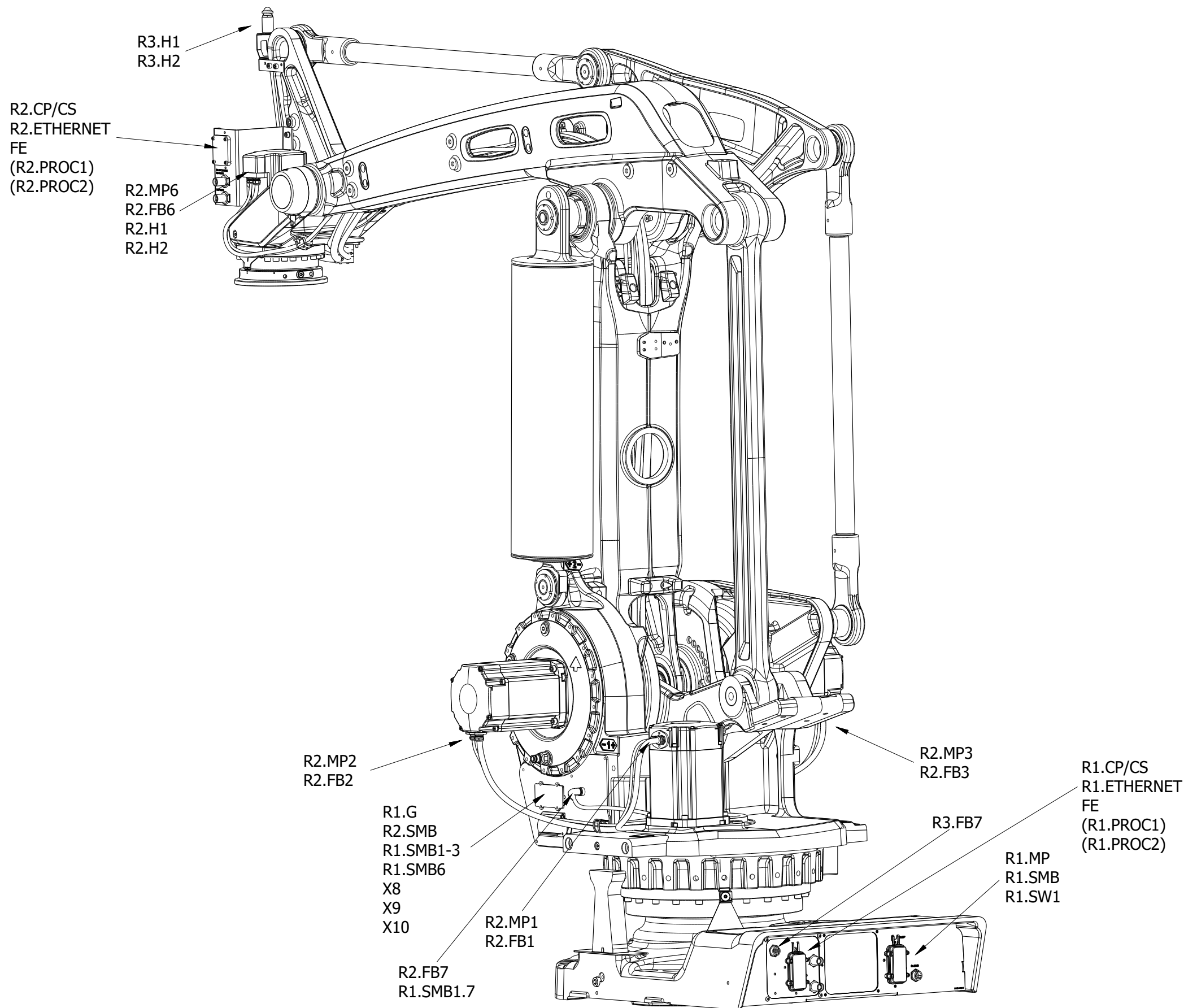
ECO 108980, WI 270895
 PG 3: Contents changed.
 PG 4: Revision note added on ECO 108980.
 PG 11: Connection points added on "R1-, R2.ETHERNET & FE" added.
 PG 28: Changed to CP/CS, CANBUS & PROFIBUS connection.
 PG 29: Changed to CP/CS & PARAMULTI connection.

ECO 121973, WI 444847
 PG 29, R1.ETHERNET: Changed to socket.
 PG 29, R2.ETHERNET: Changed to pins.

We reserve all rights in this document and in the information contained therein.Reproduction, use or disclosure to third parties without express authority is strictly forbidden. © Copyright 2003 ABB

Latest revision: ECO 121973, WI 444847 PG 29, R1.ETHERNET: Changed to socket. PG 29, R2.ETHERNET: Changed to pins.		Lab/Office: RA/RDP	Status: 2022-05-31 Approved Document no. 3HAC025691-001	Plant: =IRB660/760 Location: + Manipulator Sublocation:+	Revision information	Rev. Ind 06	<table border="1" style="width:100%; border-collapse: collapse;"> <tr> <td style="text-align: center;">4</td> </tr> <tr> <td style="text-align: center;">11</td> </tr> <tr> <td style="text-align: center;">Total 13</td> </tr> </table>	4	11	Total 13
4										
11										
Total 13										
Prepared by, date: EM 220506	Approved by, date: ML 220531									

IRB660/760



We reserve all rights in this document and in the information contained therein. Reproduction, use or disclosure to third parties without express authority is strictly forbidden. © Copyright 2003 ABB

Latest revision: ECO 121973, WI 444847
 PG 29, R1.ETHERNET: Changed to socket.
 PG 29, R2.ETHERNET: Changed to pins.

Prepared by, date: EM 220506 Approved by, date: ML 220531

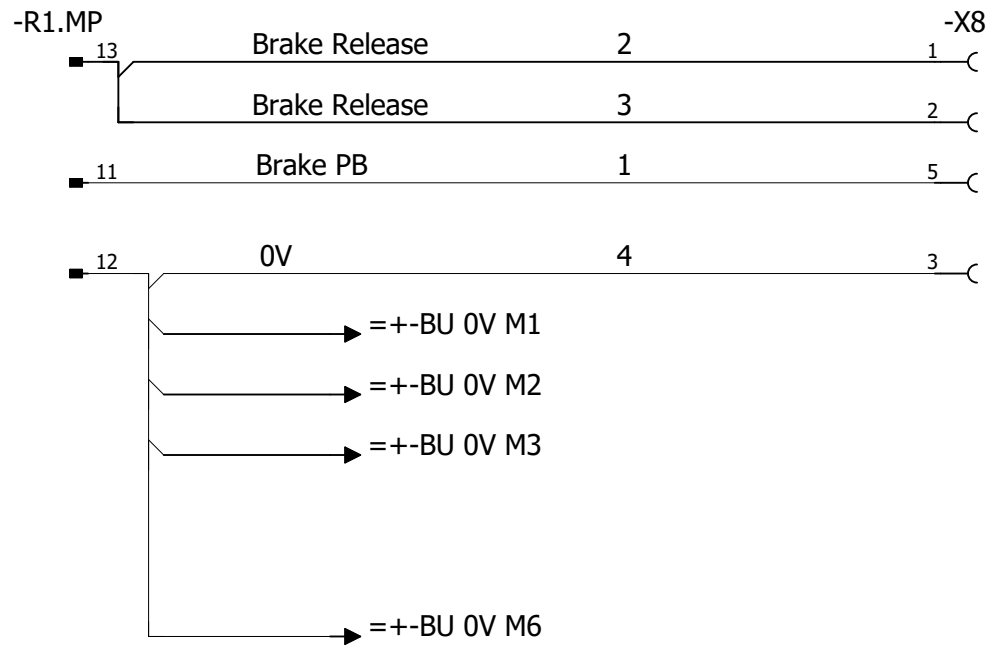


Lab/Office:
RA/RDP

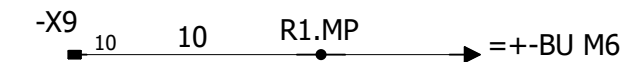
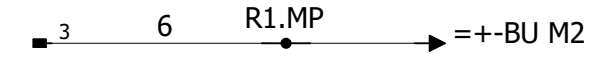
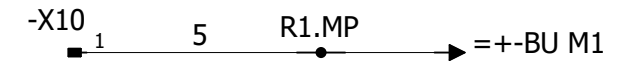
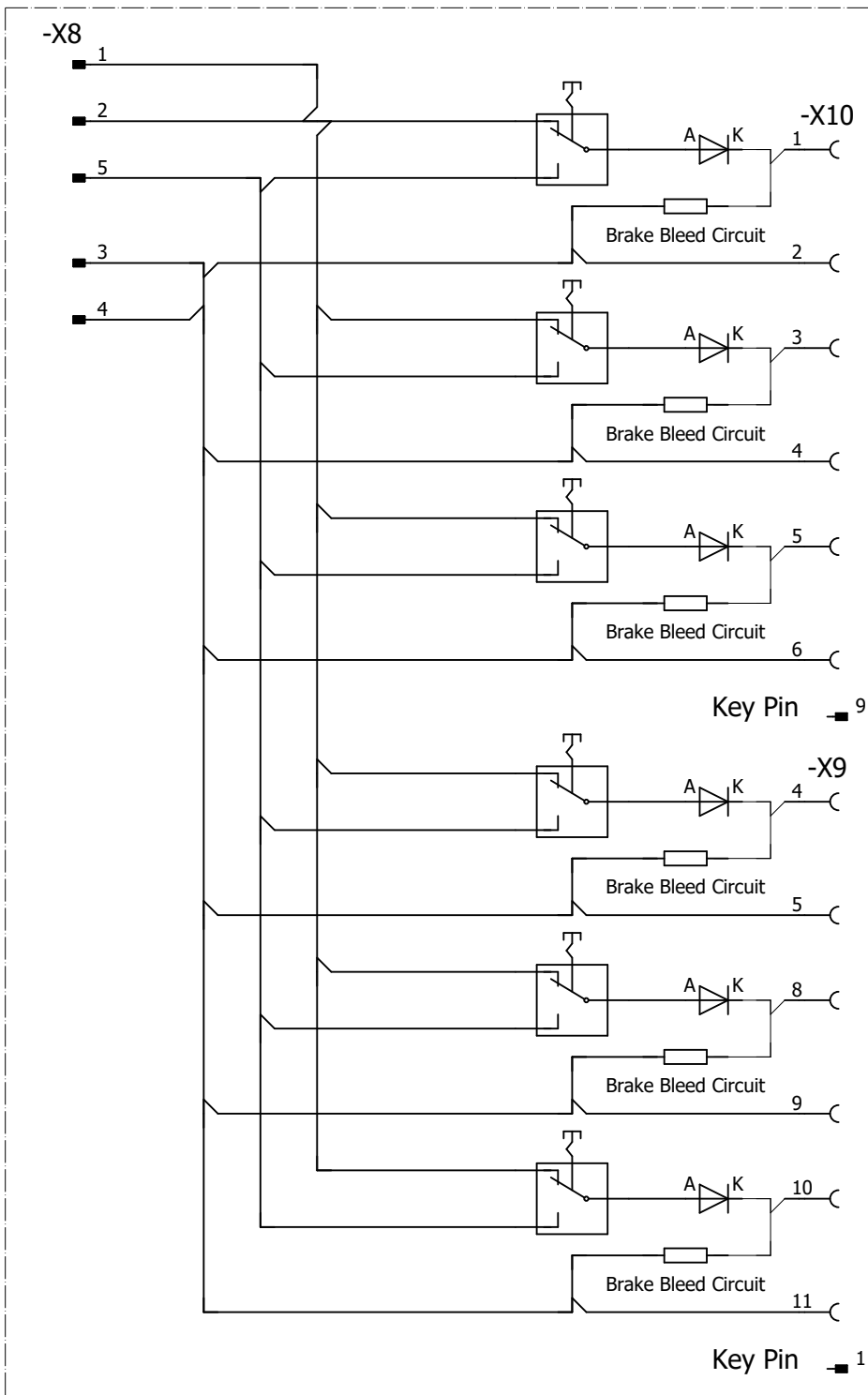
Connection point location

Status: 2022-05-31	Plant: =IRB660/760
Approved	Location: + Manipulator
Document no. 3HAC025691-001	Sublocation: +
Rev. Ind 06	11
	+BU/21
	Total 13

We reserve all rights in this document and in the information contained therein. Reproduction, use or disclosure to third parties without express authority is strictly forbidden. © Copyright 2003 ABB



-BU Brake Release (Simplified)



Latest revision: ECO 121973, WI 444847
 PG 29, R1.ETHERNET: Changed to socket.
 PG 29, R2.ETHERNET: Changed to pins.



Lab/Office:
RA/RDP

Brake Release Unit

Status: 2022-05-31

Approved

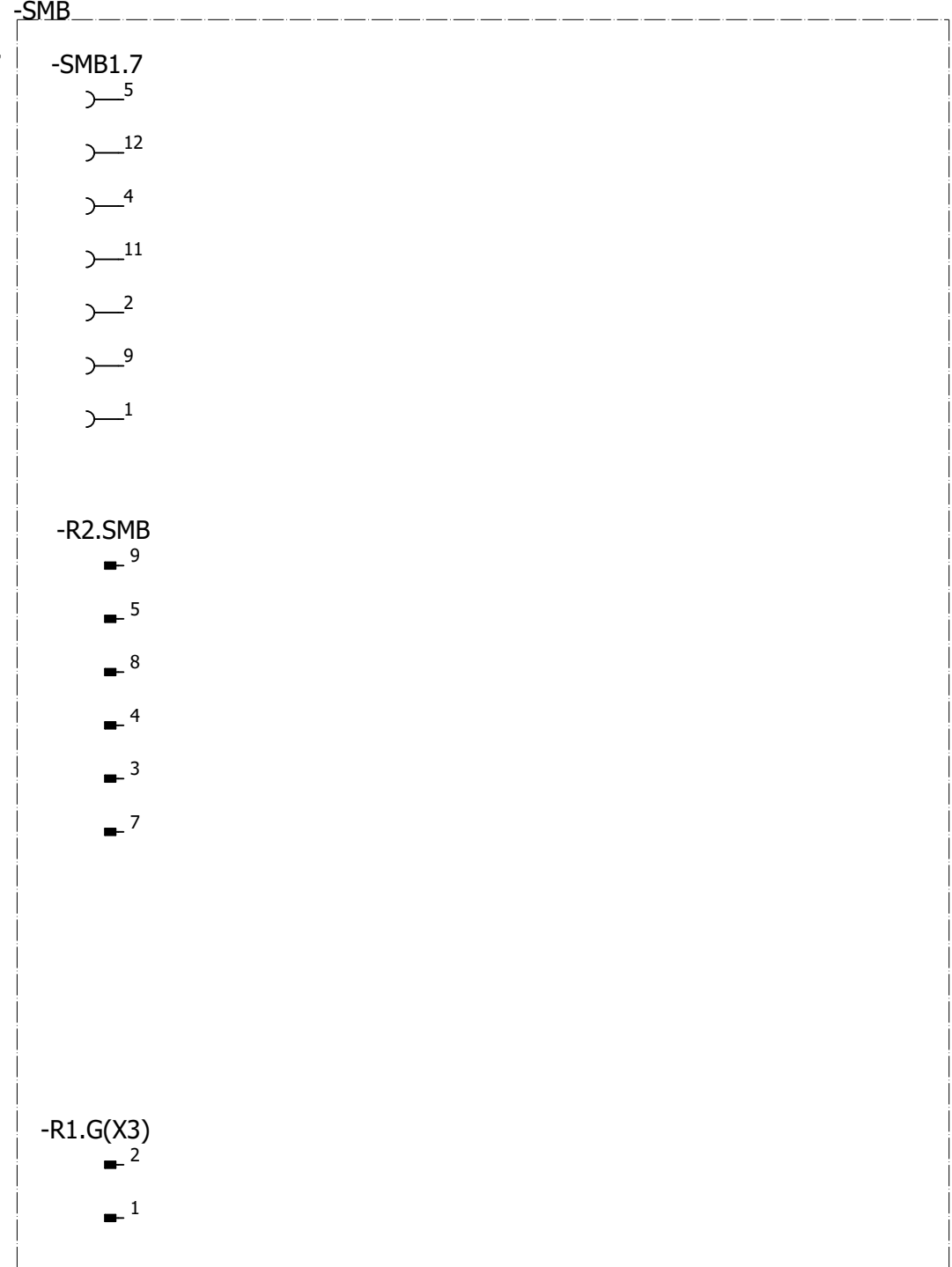
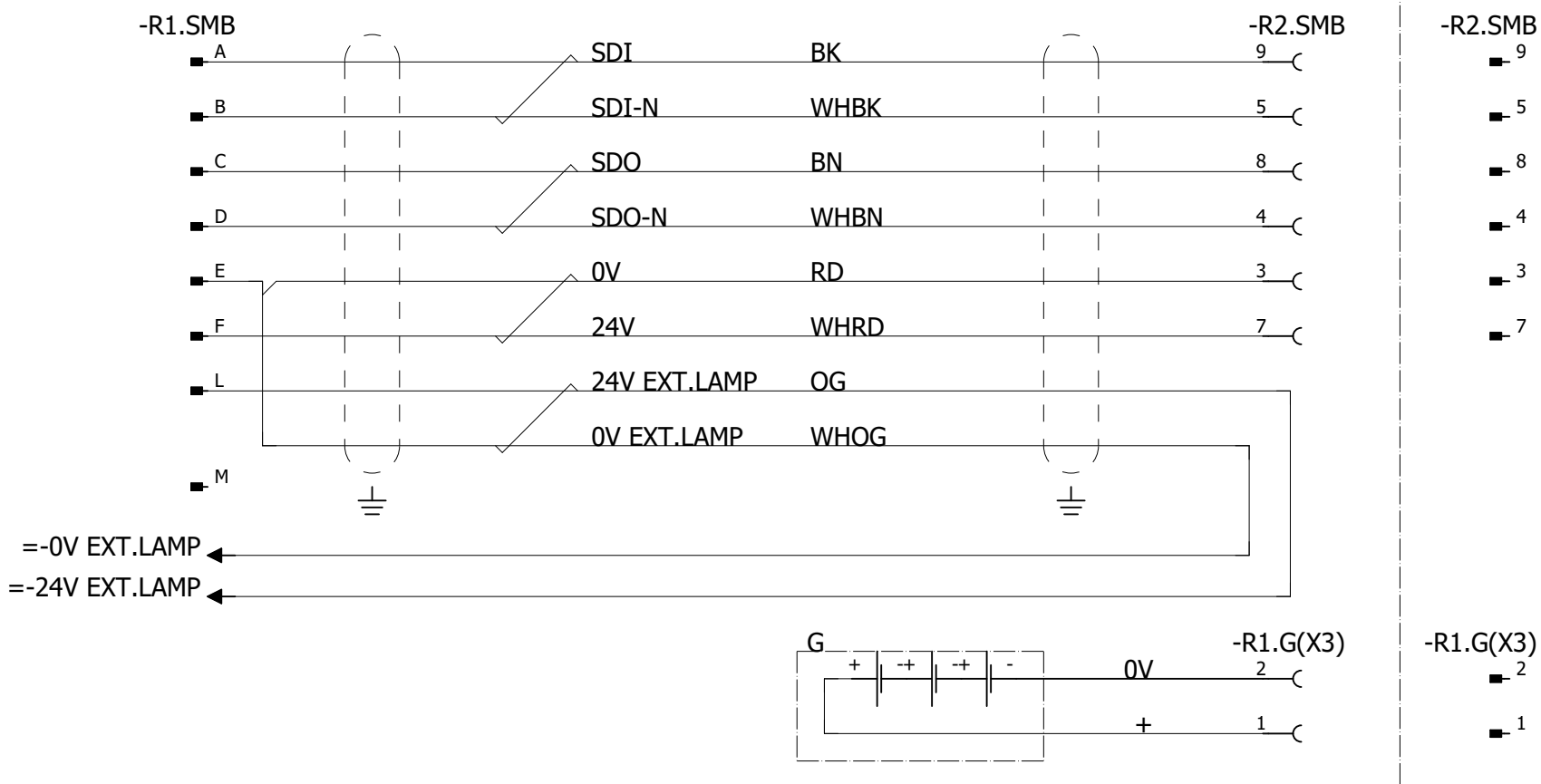
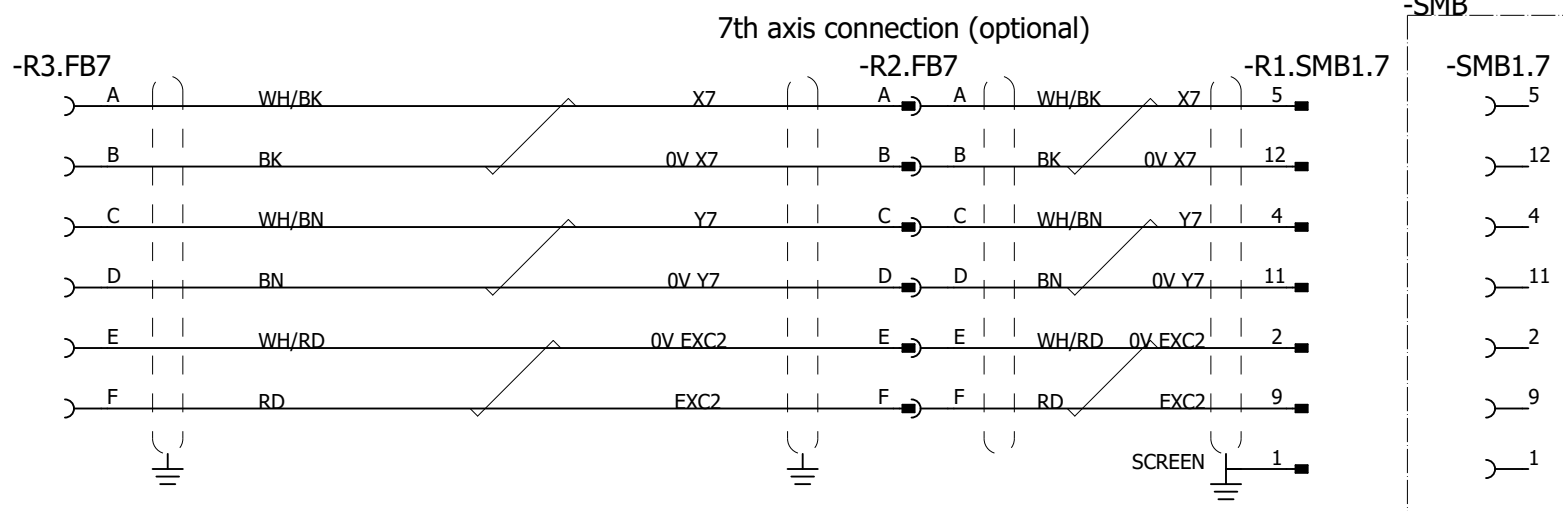
Document no.
3HAC025691-001

Plant: =IRB660/760
 Location: +BU
 Sublocation: +

Rev. Ind 21
 06 +SMB/22
 Total 13

Prepared by, date: EM 220506 Approved by, date: ML 220531

We reserve all rights in this document and in the information contained therein. Reproduction, use or disclosure to third parties without express authority is strictly forbidden. © Copyright 2003 ABB



Latest revision: ECO 121973, WI 444847
 PG 29, R1.ETHERNET: Changed to socket.
 PG 29, R2.ETHERNET: Changed to pins.



Lab/Office:
RA/RDP

Serial Measuring Board

Status: 2022-05-31

Plant: =IRB660/760

Approved

Location: +SMB

Sublocation: +

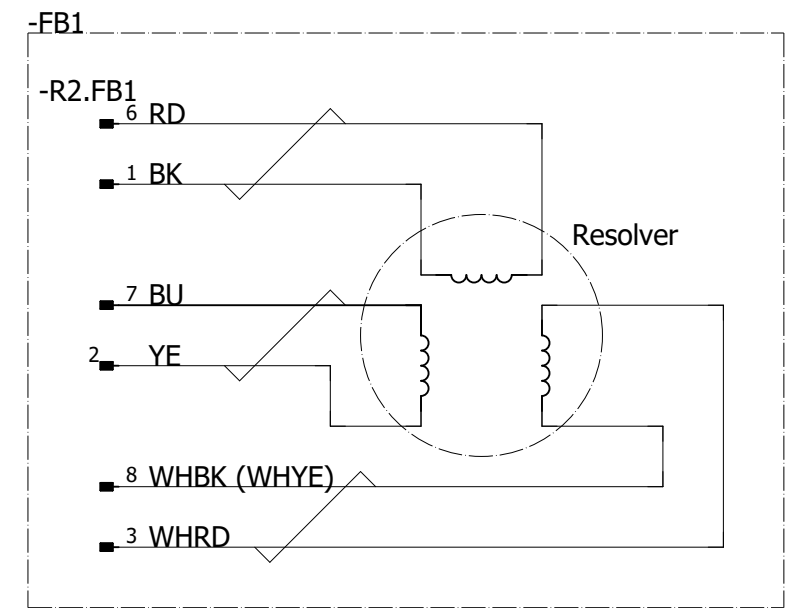
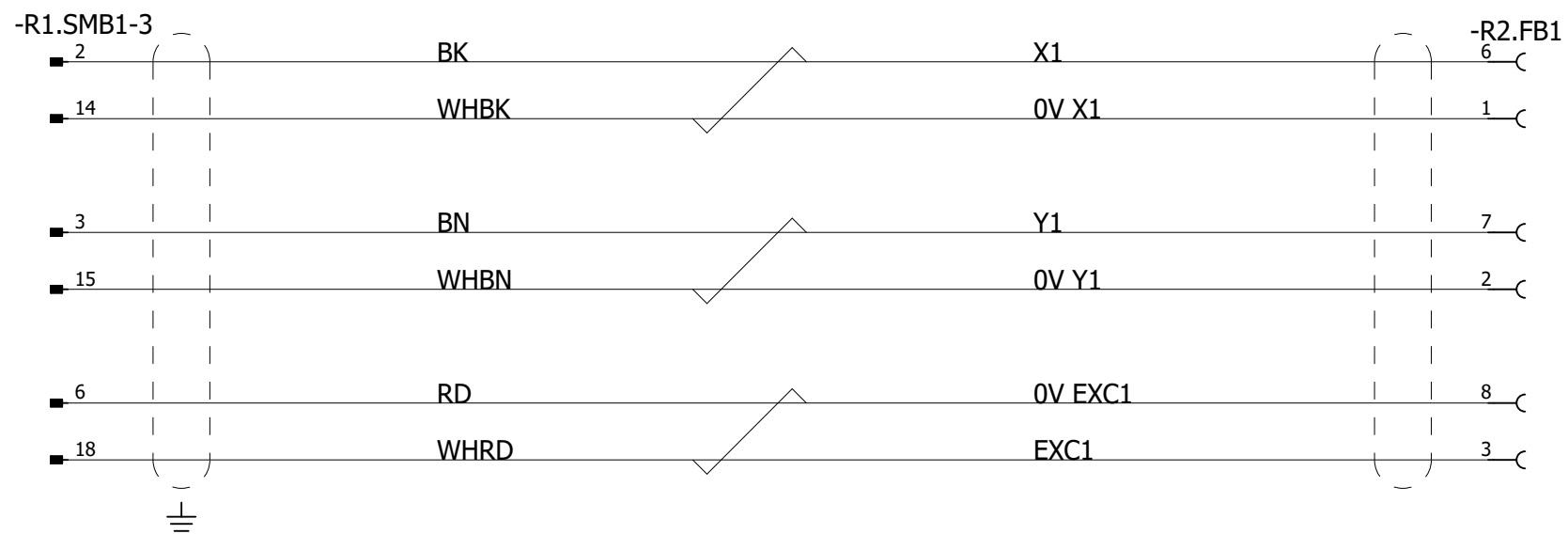
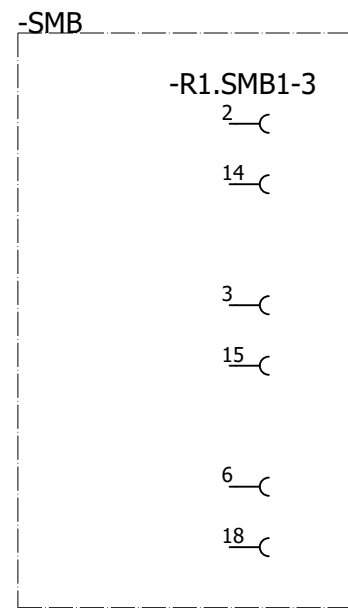
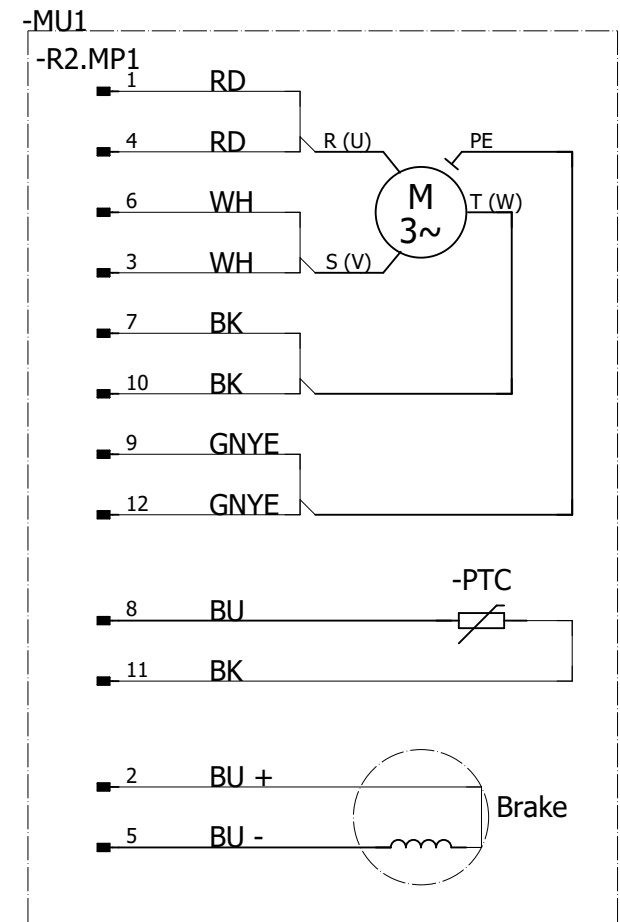
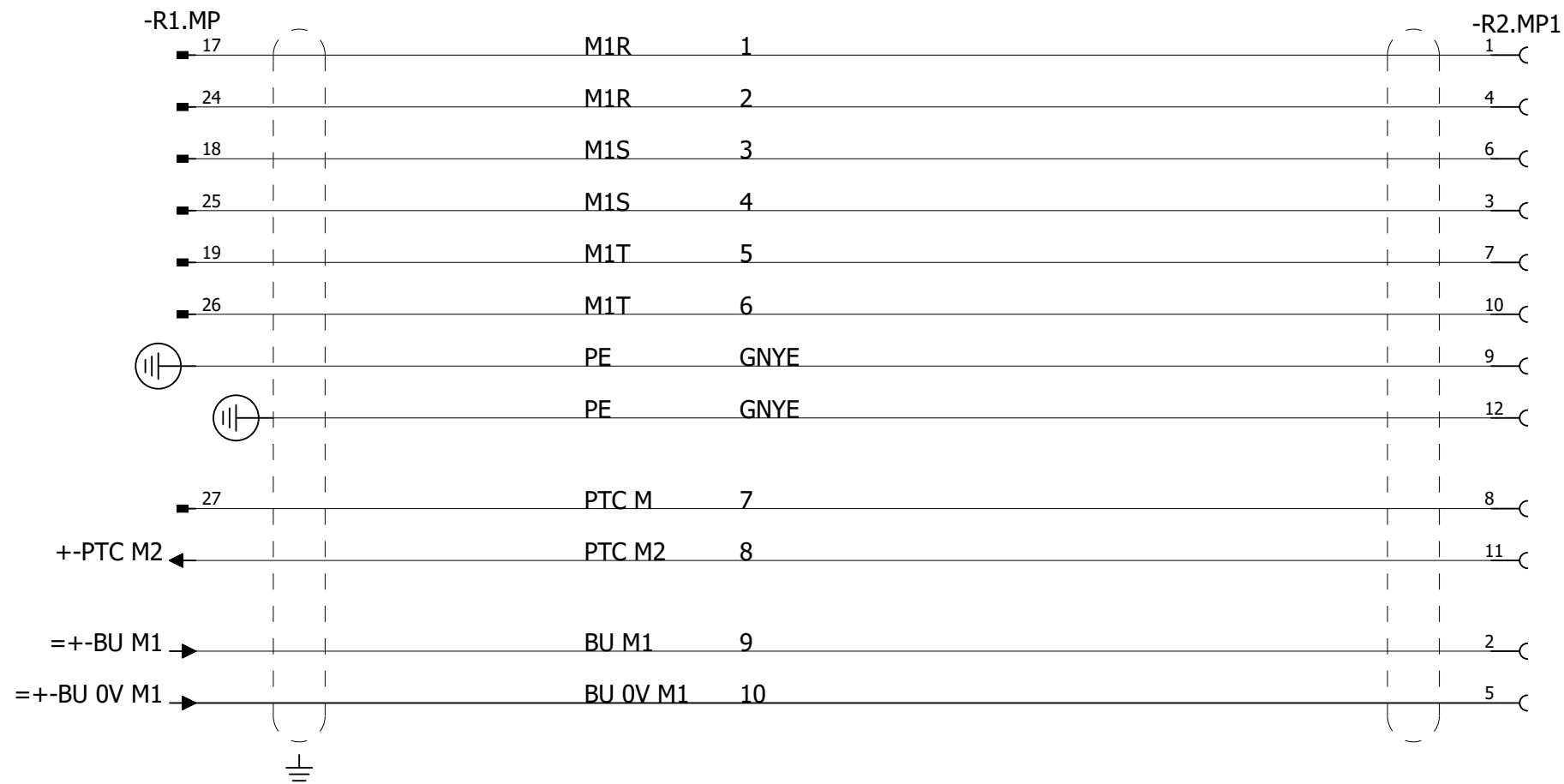
Document no.
3HAC025691-001

Rev. Ind
06

22
+Axis 1/2
Total 13

Prepared by, date: EM 220506 Approved by, date: ML 220531

We reserve all rights in this document and in the information contained therein. Reproduction, use or disclosure to third parties without express authority is strictly forbidden. © Copyright 2003 ABB



Latest revision: ECO 121973, WI 444847
 PG 29, R1.ETHERNET: Changed to socket.
 PG 29, R2.ETHERNET: Changed to pins.



Lab/Office:
RA/RDP

Axis 1

Status: 2022-05-31

Plant: =IRB660/760

Approved

Location: +Axis 1

Sublocation: +

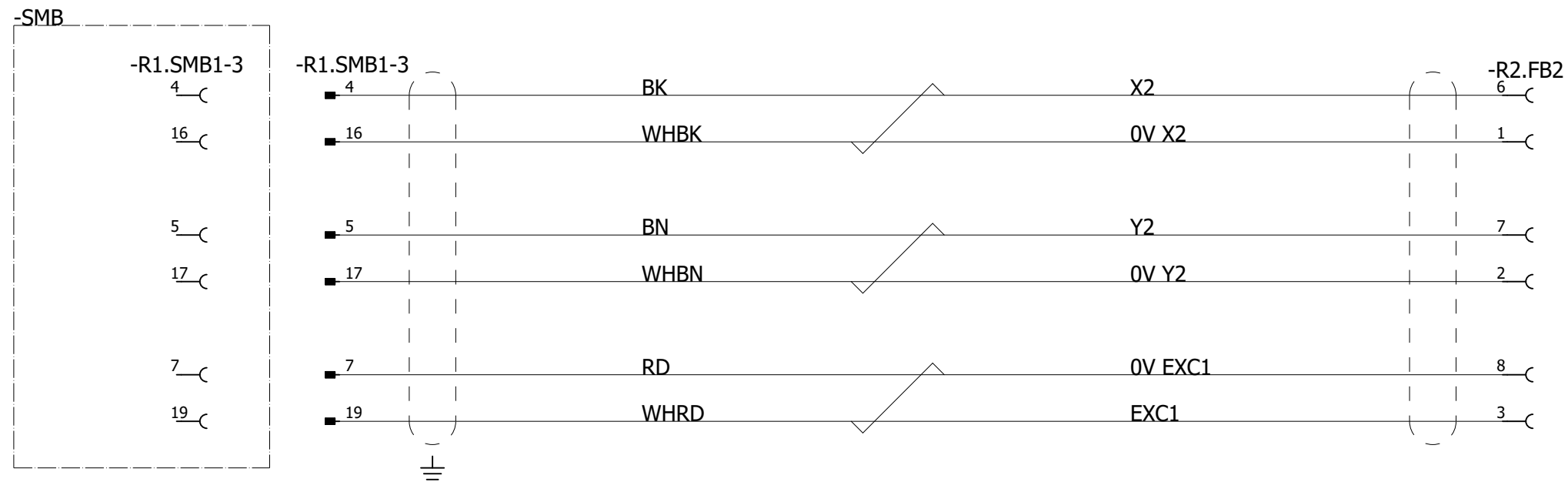
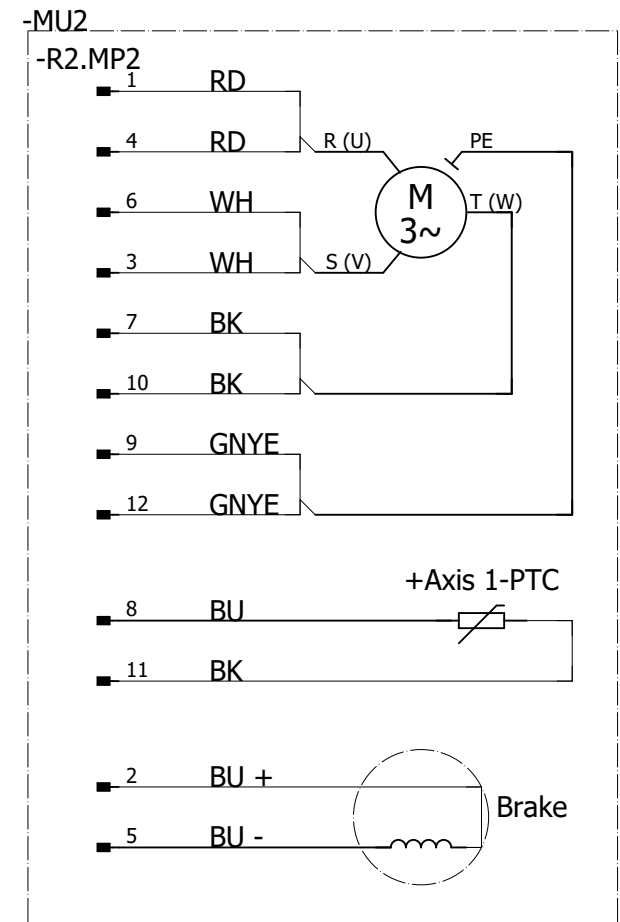
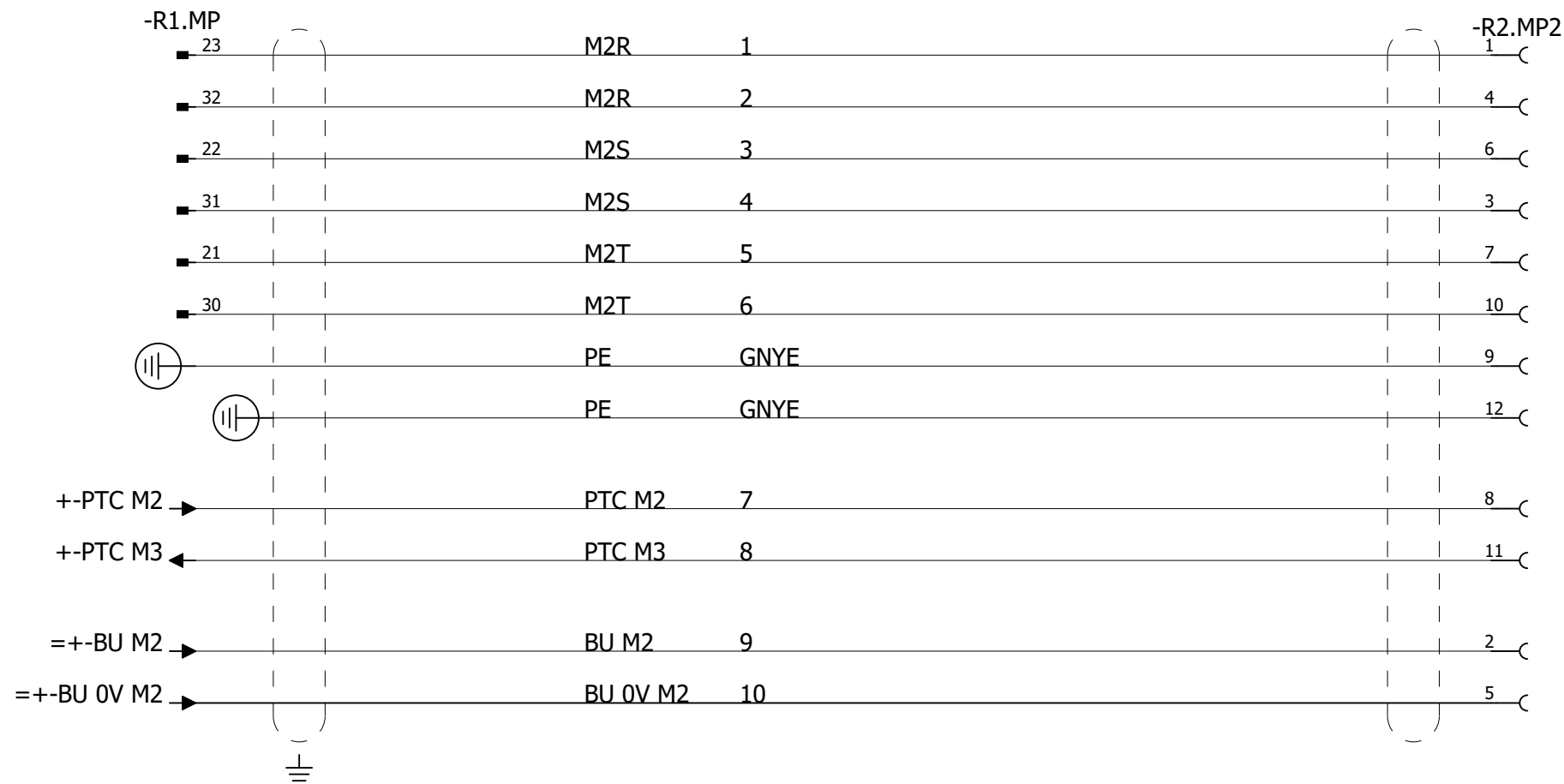
Document no.
3HAC025691-001

Rev. Ind
06

23
+Axis 2/2
Total 13

Prepared by, date: EM 220506 Approved by, date: ML 220531

We reserve all rights in this document and in the information contained therein. Reproduction, use or disclosure to third parties without express authority is strictly forbidden. © Copyright 2003 ABB



Latest revision: ECO 121973, WI 444847
 PG 29, R1.ETHERNET: Changed to socket.
 PG 29, R2.ETHERNET: Changed to pins.



Lab/Office:
RA/RDP

Axis 2

Status: 2022-05-31

Plant: =IRB660/760

Approved

Location: +Axis 2

Sublocation: +

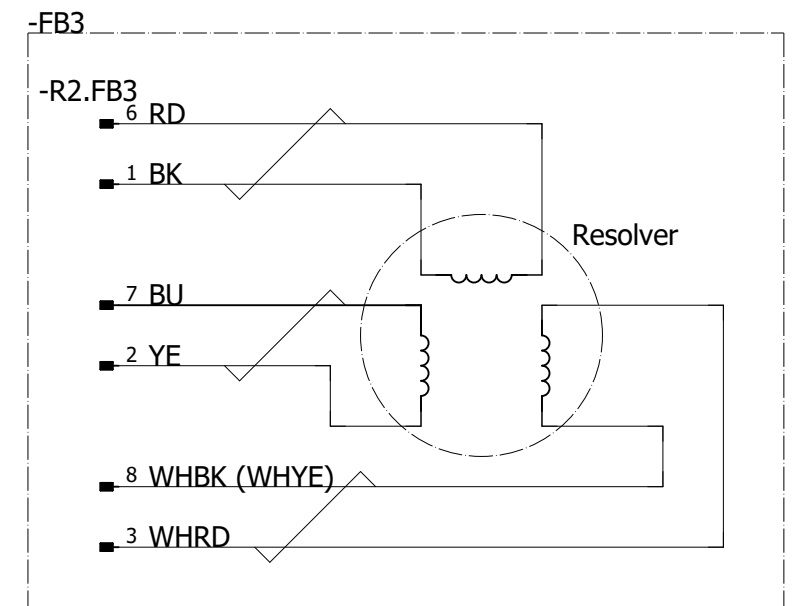
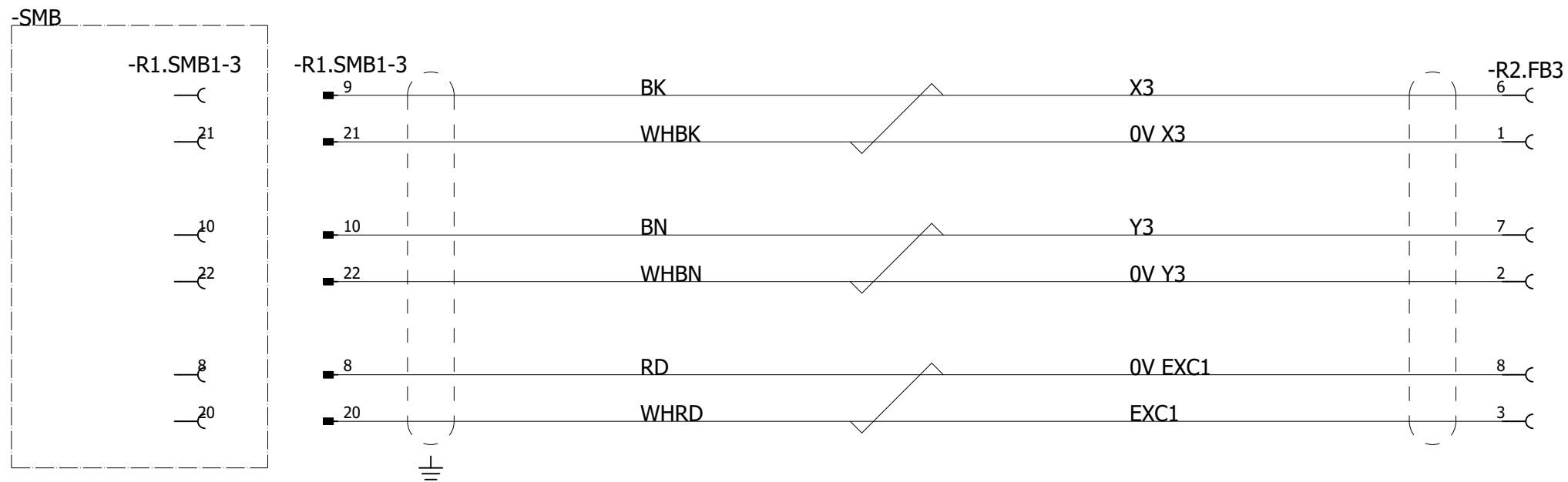
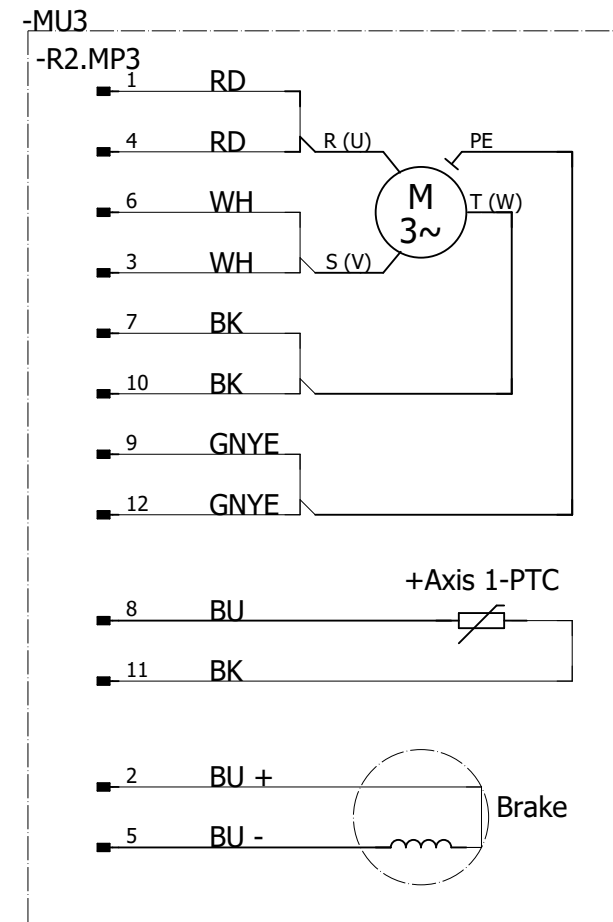
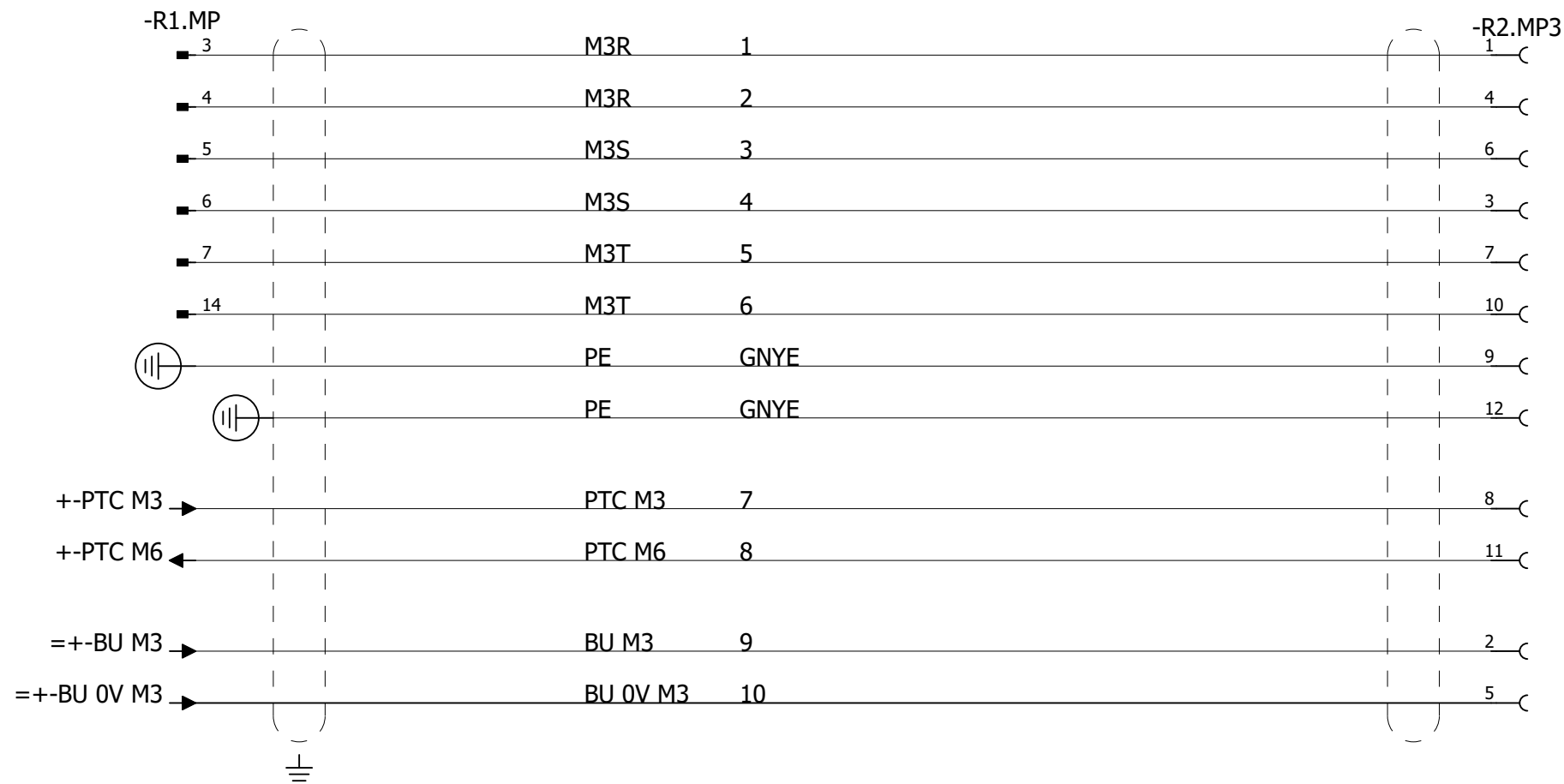
Document no.
3HAC025691-001

Rev. Ind
06

24
+Axis 3/2
Total 13

Prepared by, date: EM 220506 Approved by, date: ML 220531

We reserve all rights in this document and in the information contained therein. Reproduction, use or disclosure to third parties without express authority is strictly forbidden. © Copyright 2003 ABB



Latest revision: ECO 121973, WI 444847
 PG 29, R1.ETHERNET: Changed to socket.
 PG 29, R2.ETHERNET: Changed to pins.



Lab/Office:
RA/RDP

Axis 3

Status: 2022-05-31

Plant: =IRB660/760
 Location: +Axis 3
 Sublocation: +

Approved

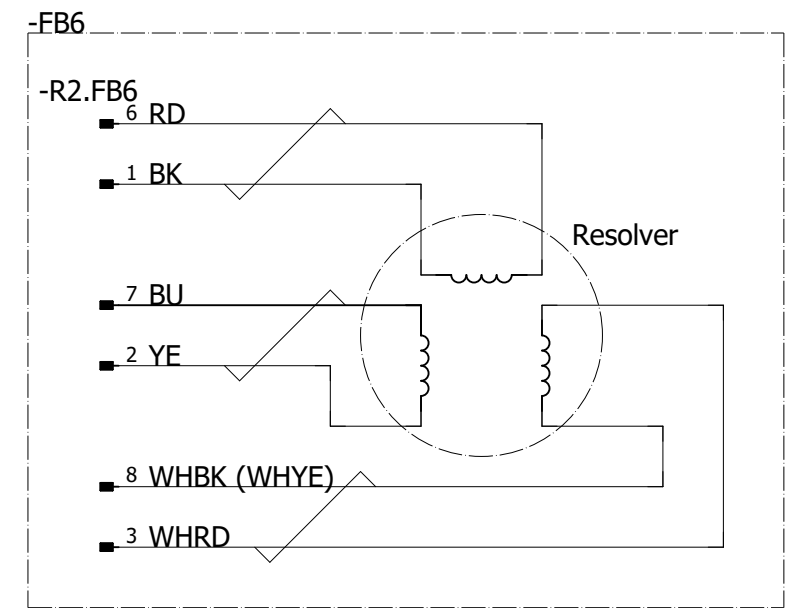
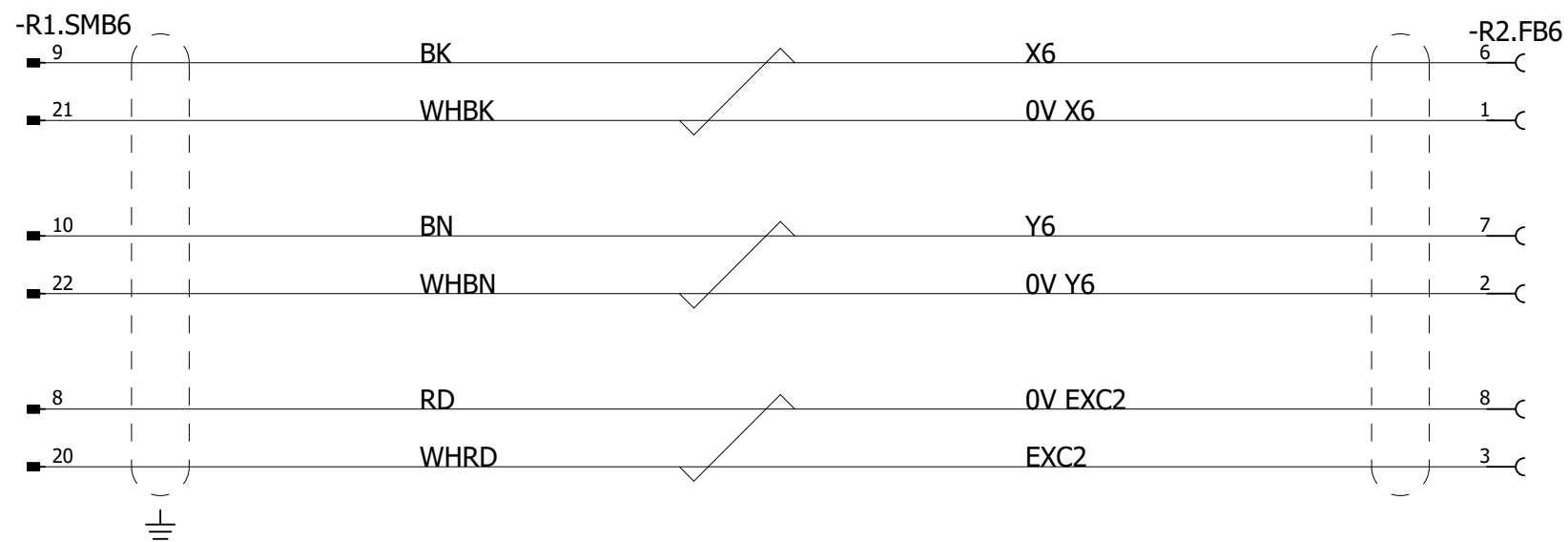
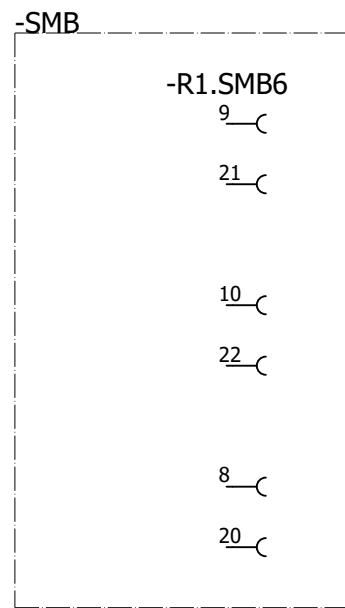
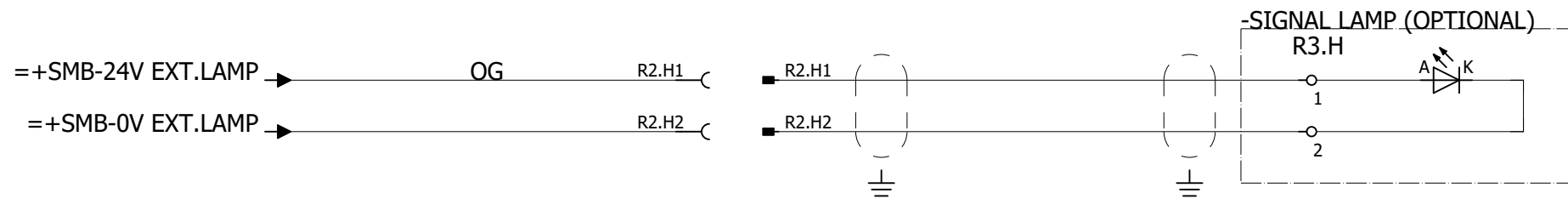
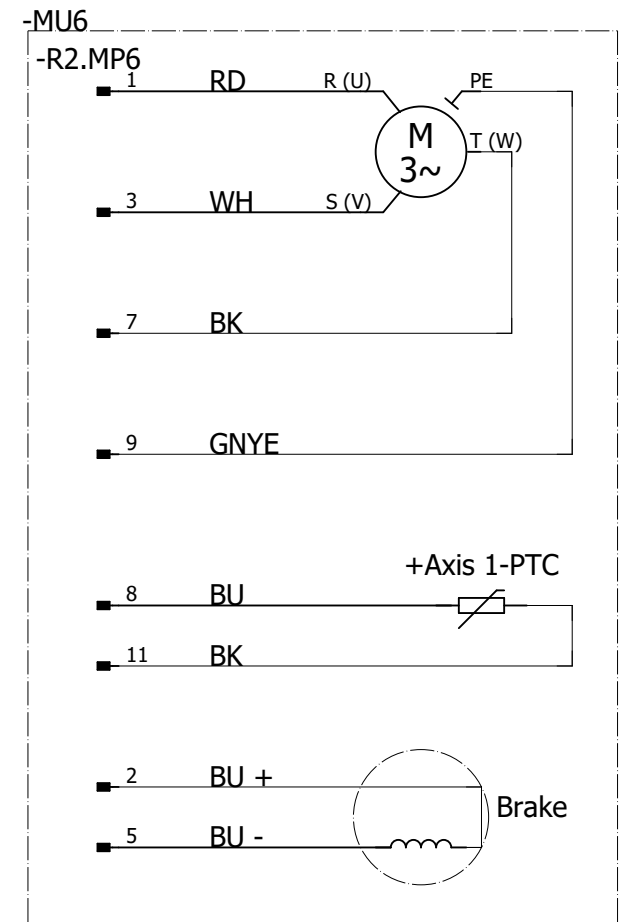
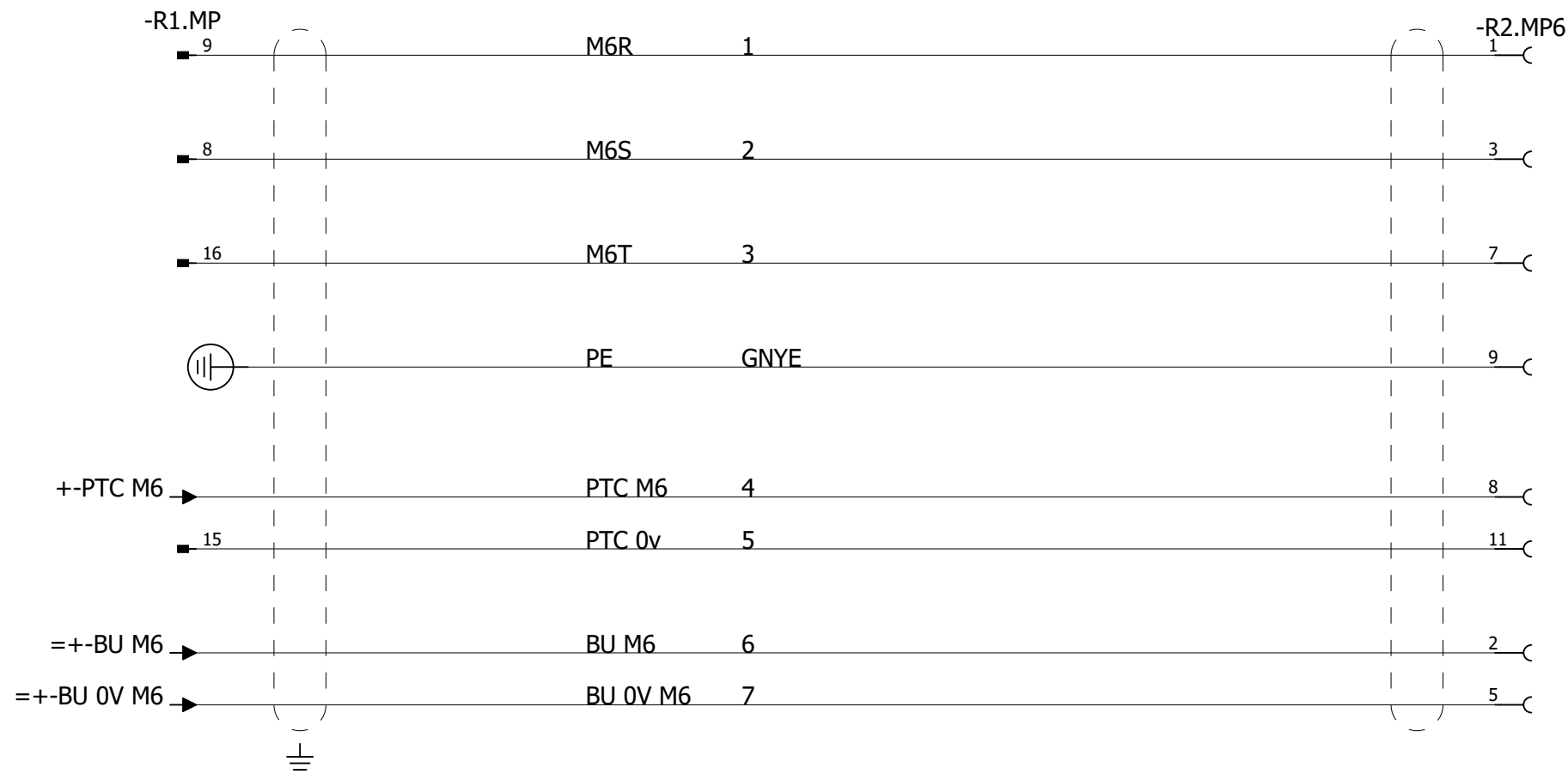
Document no.
3HAC025691-001

Rev. Ind
06

25
+Axis 6/2
Total 13

Prepared by, date: EM 220506 Approved by, date: ML 220531

We reserve all rights in this document and in the information contained therein. Reproduction, use or disclosure to third parties without express authority is strictly forbidden. © Copyright 2003 ABB



Latest revision: ECO 121973, WI 444847
 PG 29, R1.ETHERNET: Changed to socket.
 PG 29, R2.ETHERNET: Changed to pins.



Lab/Office:
RA/RDP

Axis 6

Status: 2022-05-31

Plant: =IRB660/760
 Location: +Axis 6
 Sublocation: +

Approved

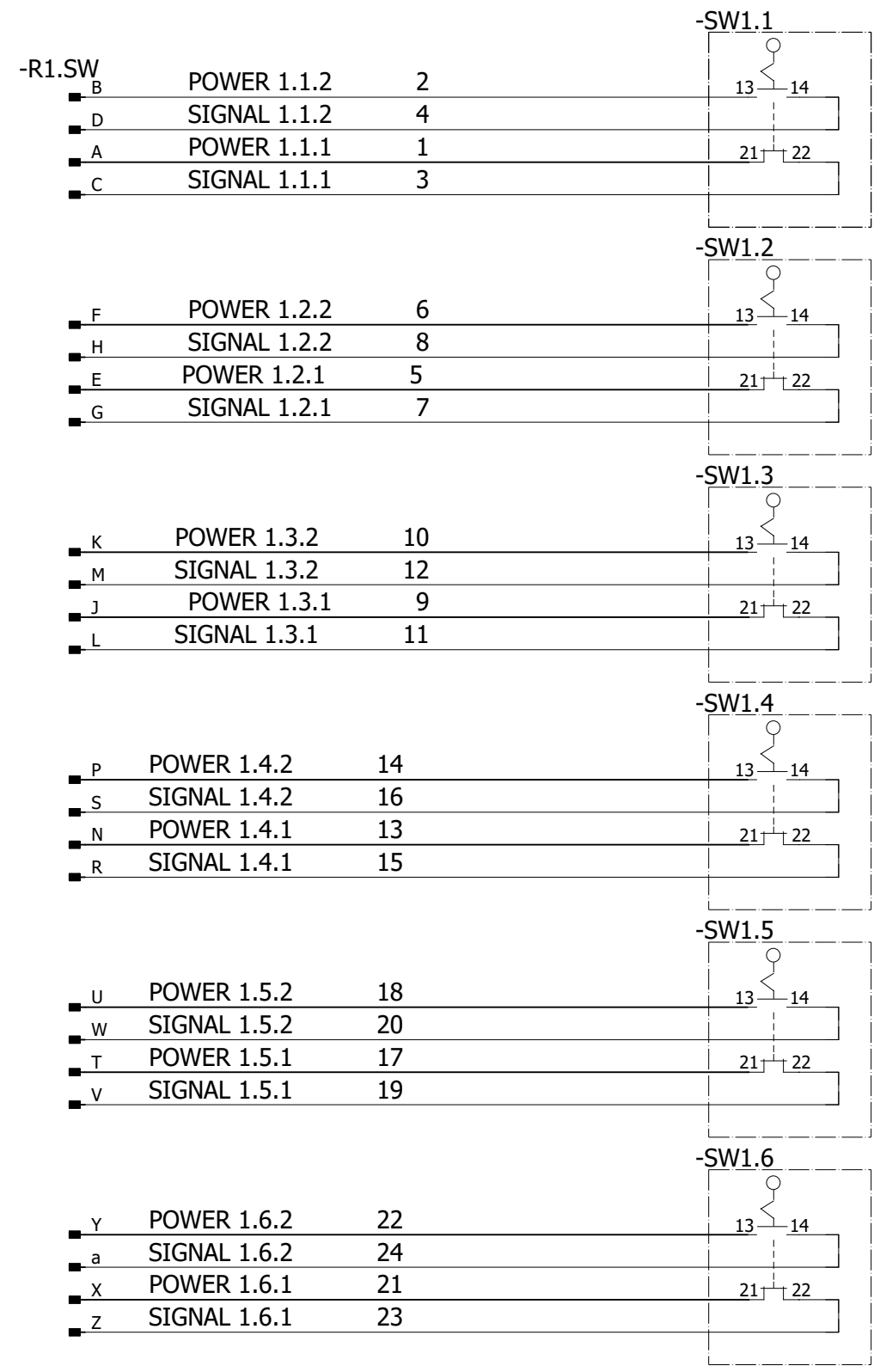
Document no.
3HAC025691-001

Rev. Ind
06

26
+Switch
Total 13

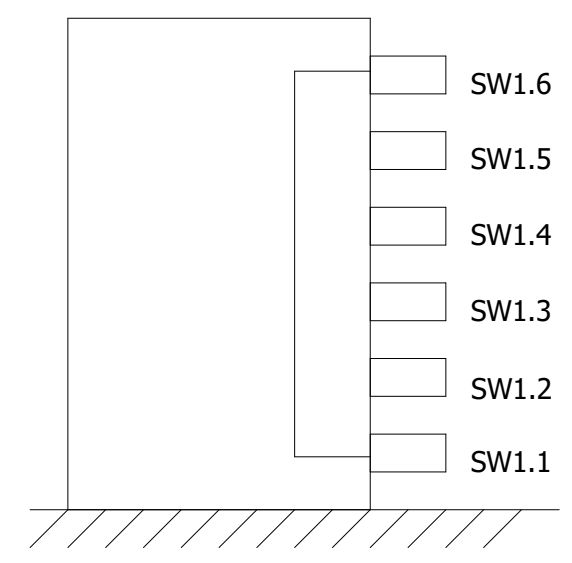
Prepared by, date: EM 220506 Approved by, date: ML 220531

We reserve all rights in this document and in the information contained therein. Reproduction, use or disclosure to third parties without express authority is strictly forbidden. © Copyright 2003 ABB



SWITCHES AXIS 1
BRYTARE AXEL 1

LOCATION OF SWITCHES
PLACERING AV BRYTARE



Latest revision: ECO 121973, WI 444847
PG 29, R1.ETHERNET: Changed to socket.
PG 29, R2.ETHERNET: Changed to pins.



Lab/Office:
RA/RDP

Switches axis 1 (optional)

Status: 2022-05-31

Plant: =IRB660/760
Location: + Switches
Sublocation: +

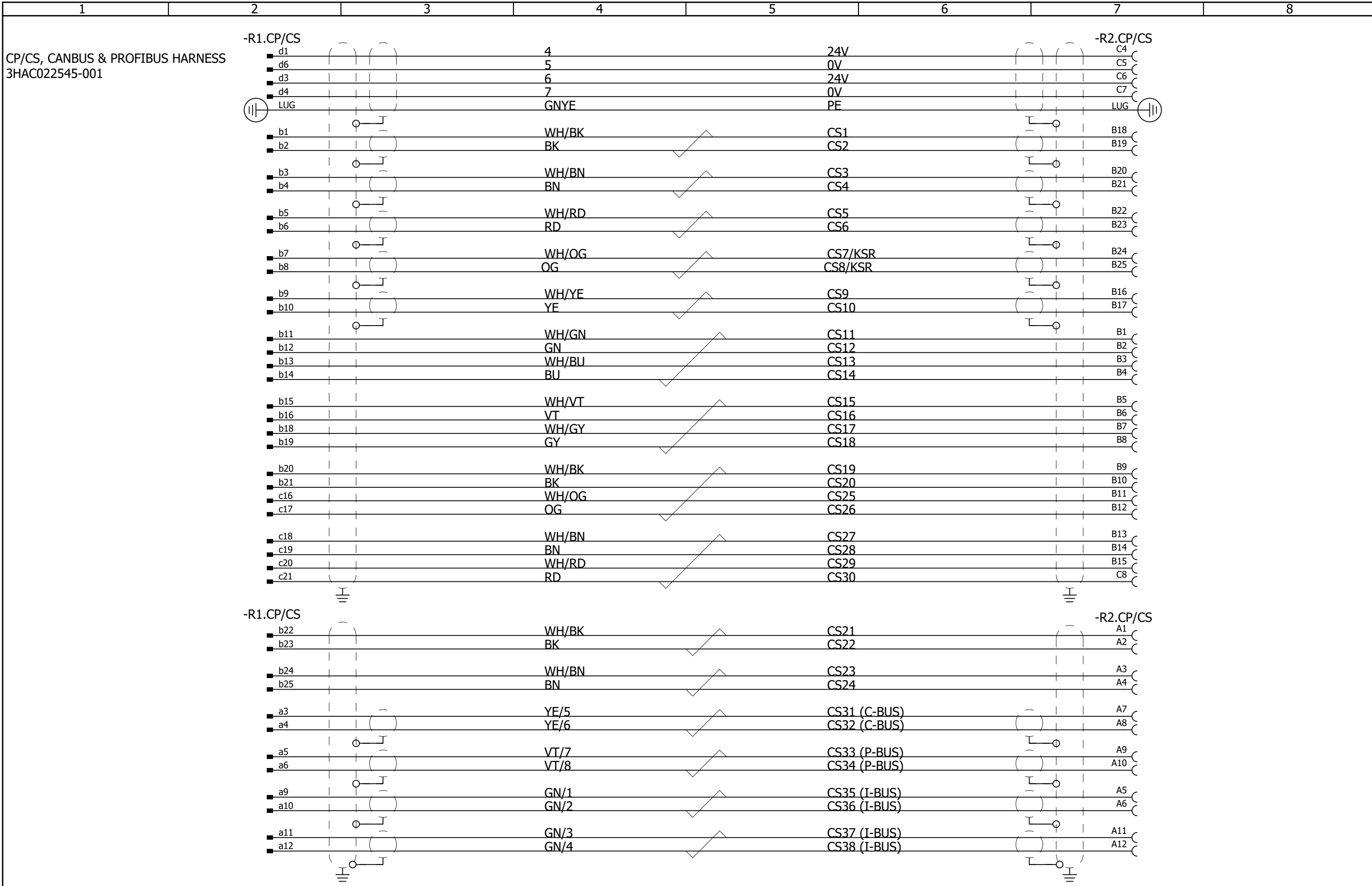
Approved

Document no.
3HAC025691-001

Rev. Ind
06
27
+CP/CS/2
Total 13

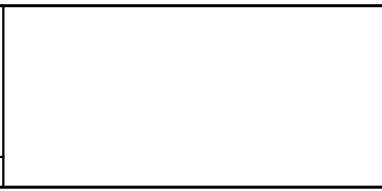
Prepared by, date: EM 220506 Approved by, date: ML 220531

We reserve all rights in this document and in the information contained therein. Reproduction, use or disclosure to third parties without express authority is strictly forbidden. © Copyright 2003 ABB



Latest revision: ECO 121973, WI 444847
 PG 29, R1.ETHERNET: Changed to socket.
 PG 29, R2.ETHERNET: Changed to pins.

Prepared by, date: EM 220506 Approved by, date: ML 220531



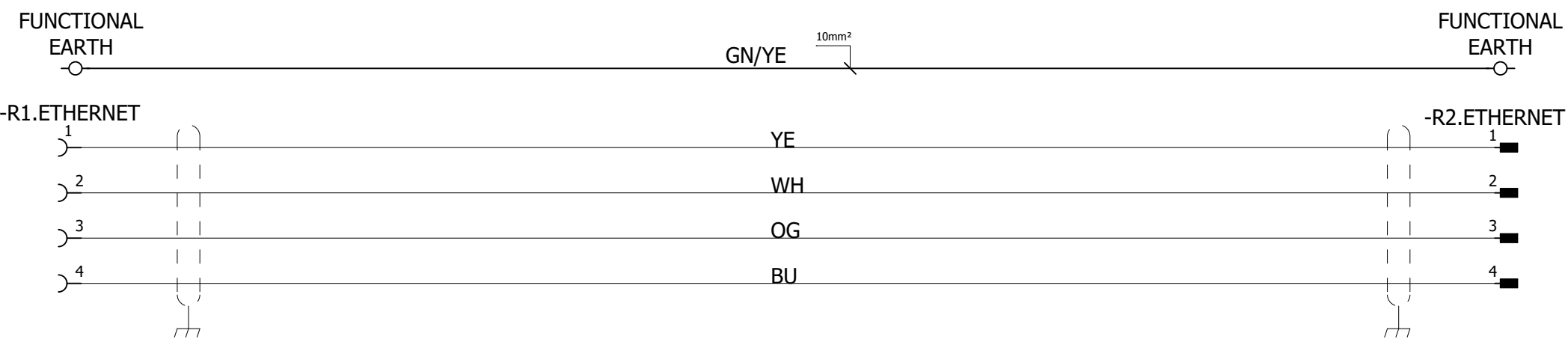
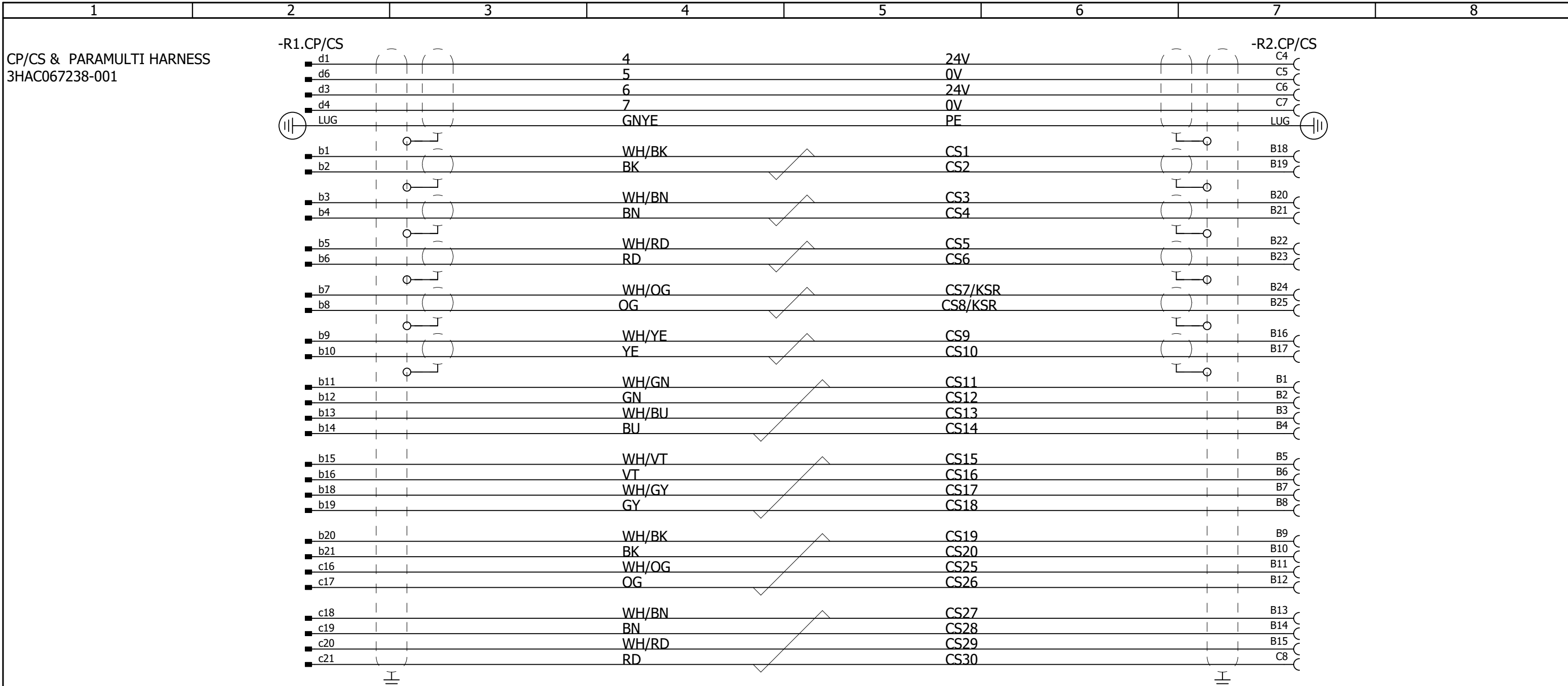
Lab/Office:
RA/RDP

Customer connection (optional)
 CP/CS, CANBUS & PROFIBUS

Status: 2022-05-31 Plant: =IRB660/760
 Location: +CP/CS
 Sublocation: +

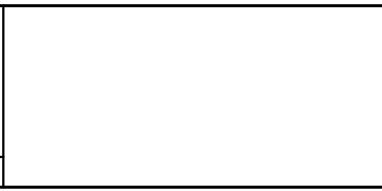
Approved
 Document no. 3HAC025691-001 Rev. Ind 28
 06 29
 Total 13

We reserve all rights in this document and in the information contained therein. Reproduction, use or disclosure to third parties without express authority is strictly forbidden. © Copyright 2003 ABB



Latest revision: ECO 121973, WI 444847
 PG 29, R1.ETHERNET: Changed to socket.
 PG 29, R2.ETHERNET: Changed to pins.

Prepared by, date: EM 220506 | Approved by, date: ML 220531



Lab/Office:
RA/RDP

Customer connection (optional)
 CP/CS & PARAMULTI

Status: 2022-05-31
 Approved
 Document no. 3HAC025691-001
 Plant: =IRB660/760
 Location: +CP/CS
 Sublocation: +
 Rev. Ind 06
 29
 Total 13